

# EL Series 40-45 Watt Regulated High Voltage DC Power Supplies

Laboratory  
Performance...  
Up to 60kV DC  
3.5 Inch Panel  
12 Pounds  
Maximum

Economical  
Price

Fully compliant with the European harmonized EMI directive, EN50082-2, and with the low voltage (safety) directive, 73/23/EEC.

Line harmonics are within the European harmonized standard, EN61000-3-2 specifications.



Models from 0 to 3kV through 0 to 60kV

The EL Series was designed for the user who requires premium performance without the costly features normally associated with a laboratory-grade power supply. The result... high voltage power supplies of superior quality at an affordable price. Except for variations in input voltage and available digital meters, there are no options, no hidden extras.

## Features:

**Low Ripple.** Better than 0.03% RMS at full load.

**Air Insulated.** As in all standard Glassman power supplies, these units employ "air" as the dielectric medium. No oil or encapsulation to impede serviceability or increase weight.

**Low Stored Energy.** Less than 800 millijoules for most models.

**Fast Acting Current Limiting.** Self-restoring automatic crossover circuit switches from voltage regulation to current-limit mode in the event of an overload.

**Tight Regulation.** Voltage regulation better than 0.005%, line or load.

**Low Transient Response Time.** Less than 3 milliseconds for a 50% load transient.

**Front Panel Elements Include:** Ten-turn voltage control with locking vernier dial; accurate 2-1/2 inch analog displays for both voltage and current; illuminated AC power on/off switch.

**Protection.** Overload, short circuit, and arc protection is provided by automatic current limiting and by a careful surge-limiting design.

**Warranty.** Standard power supplies are warranted for three years; OEM and modified power supplies are warranted for one year. A formal warranty statement is available.



Designing Solutions for High Voltage Power Supply Applications

**GLASSMAN HIGH VOLTAGE INC.**

124 West Main Street, PO Box 317, High Bridge, NJ 08829-0317  
(908) 638-3800 • Fax (908) 638-3700 • [www.glassmanhv.com](http://www.glassmanhv.com)

**GLASSMAN EUROPE Limited (UK)**  
+44 1256 883007 FAX +44 1256 883017  
E-mail: [Glassman\\_europe@glassmanhv.com](mailto:Glassman_europe@glassmanhv.com)

**GLASSMAN JAPAN High Voltage Limited**  
+81 45 902 9988 FAX +81 45 902 2268  
E-mail: [Glassman\\_japan@glassmanhv.com](mailto:Glassman_japan@glassmanhv.com)

## Specifications

(From 5 % To 100% rated voltage. All units operate down to zero output with very slight degradation of performance.)

**Input:** 105-125 V RMS, 48-420Hz single-phase, less than 1 ampere. Connector per IEC 320 with mating line cord provided.

**Output:** Continuous, stable adjustment, from zero to rated voltage by means of front panel 10-turn potentiometer. Linear to within 1% of rated. Repeatability, better than 0.1% of rated. Accuracy, 1% of rated +1% of setting. Resolution is <0.05%.

**Stored Energy:** 10kV model, 200 millijoules; 50kV model, 1 Joule.

**Voltage Regulation:** Better than 0.005%, +1mV/mA from no load to full load and over the specified line input range.

**Ripple:** Better than 0.03% RMS of rated voltage at +0.5v at full load.

**Stability:** 0.01% per hour after 1/2 hour warmup. 0.05% per 8 hours.

**Temperature Coefficient:** 0.01% per degree C.

**Ambient Temperature:** -20 to +60 degrees C, operating; -40 to +85 degrees C, storage.

**Polarity:** Available with either positive, negative, or reversible polarity with respect to chassis ground.

**Protection:** Automatic current limiting protects the power supply against all overload conditions, including arcs and shorts. Fuses, surge-limiting resistors, and low-energy components provide the ultimate protection.

## Front Panel Elements:

**AC Power:** ON/OFF rocker switch with indicator.

**Output Kilovolt Meter:** 2% full scale accuracy.

**Output Milliamp Meter:** 2% full scale accuracy.

**Voltage Control:** 10-turn with locking vernier readout.

**Accessories:** Detachable 8-foot cable (see models chart for cable type) and 6 foot detachable line cord are provided.

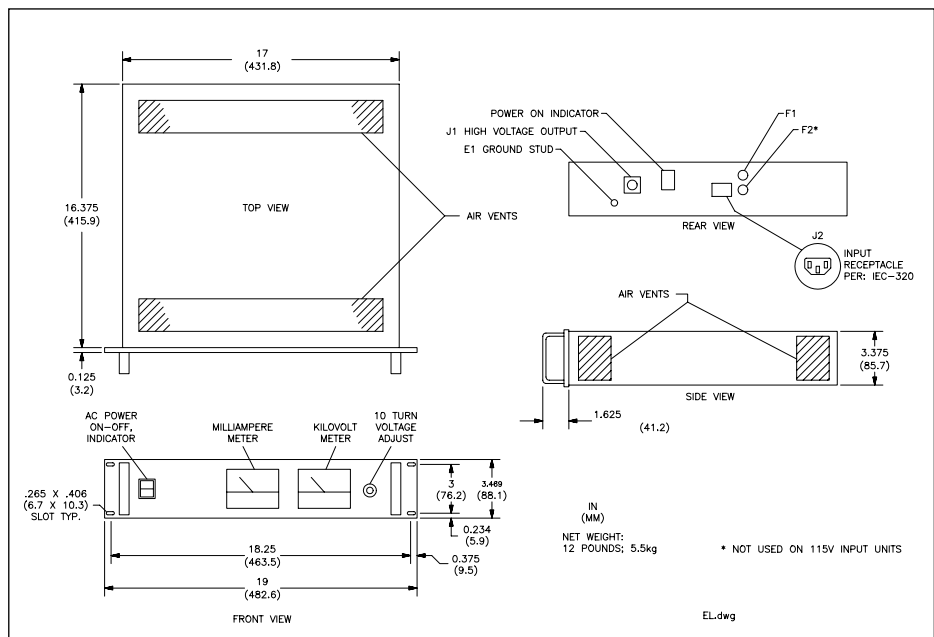
## Options

Symbol Description

100	100 VAC input:	Rated for 90 to 110 V RMS, 48-420 Hz.
220	220 VAC input:	Rated for 210 to 250 V RMS, 48-420 Hz.
DM	3-1/2 digit:	LCD panel meters and 10-turn current limit control.

## Models

Positive Polarity	Negative Polarity	Reversible Polarity	Output Voltage	Output Current	Output Cable
EL3P15L	EL3N15L	EL3R15L	0-3kV	15mA	RG-59
EL5P8L	EL5N8L	EL5R8L	0-5kV	8mA	RG-59
EL10P4	EL10N4	EL10R4	0-10kV	4mA	RG-8U
EL15P3	EL15N3	EL15R3	0-15kV	3mA	RG-8U
EL20P2	EL20N2	EL20R2	0-20kV	2mA	RG-8U
EL30P1.5	EL30N1.5	EL30R1.5	0-30kV	1.5mA	RG-8U
EL40P1	EL40N1	EL40R1	0-40kV	1mA	RG-8U
EL50P0.8	EL50N0.8	EL50R0.8	0-50kV	0.8mA	RG-8U
EL60P0.6	EL60N0.6	EL60R0.6	0-60kV	0.6mA	RG-8U



Net Weight: 12 lbs. (5.5 kg)



Designing Solutions for High Voltage Power Supply Applications

**GLASSMAN HIGH VOLTAGE INC.**

124 West Main Street, PO Box 317, High Bridge, NJ 08829-0317  
(908) 638-3800 • Fax (908) 638-3700 • www.glassmanhv.com