

Specifications

Type	Pumping Speed	Capacity at 1×10^{-6} Torr	Throughput at 20K
N ₂	4,000 Liters/sec.		
H ₂	6,500 Liters/sec.	12 std Liters	
H ₂ O	9,500 Liters/sec.		
Ar	3,500 Liters/sec.	2,000 std Liters	18 Torr Liters/sec. 1,420 scc/min.

Weight	Crossover	Cooldown Time
90 lbs. (40.2 kg)	500 Torr Liters	60 min to 20K (with CBST6.0 Compressor)
Operating Orientation	Any	
Purge Tube	Integral	
Instrumentation	Silicon diode standard Hydrogen vapor bulb thermometer optional	

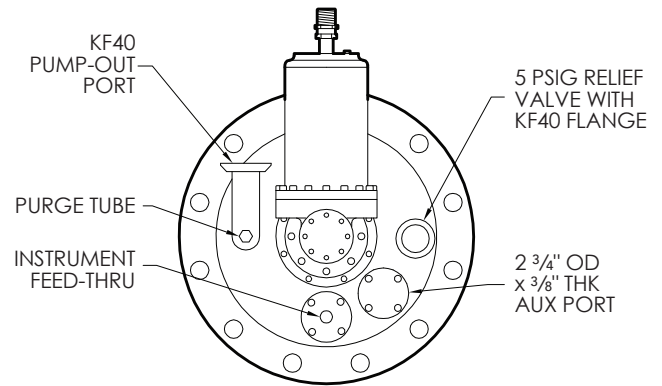
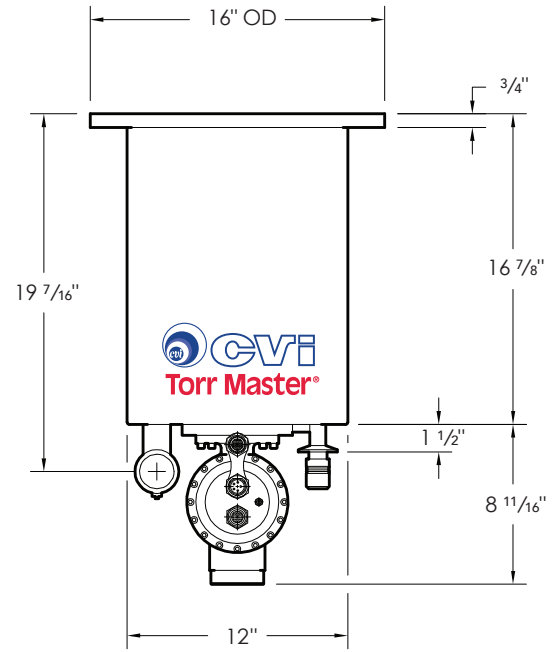
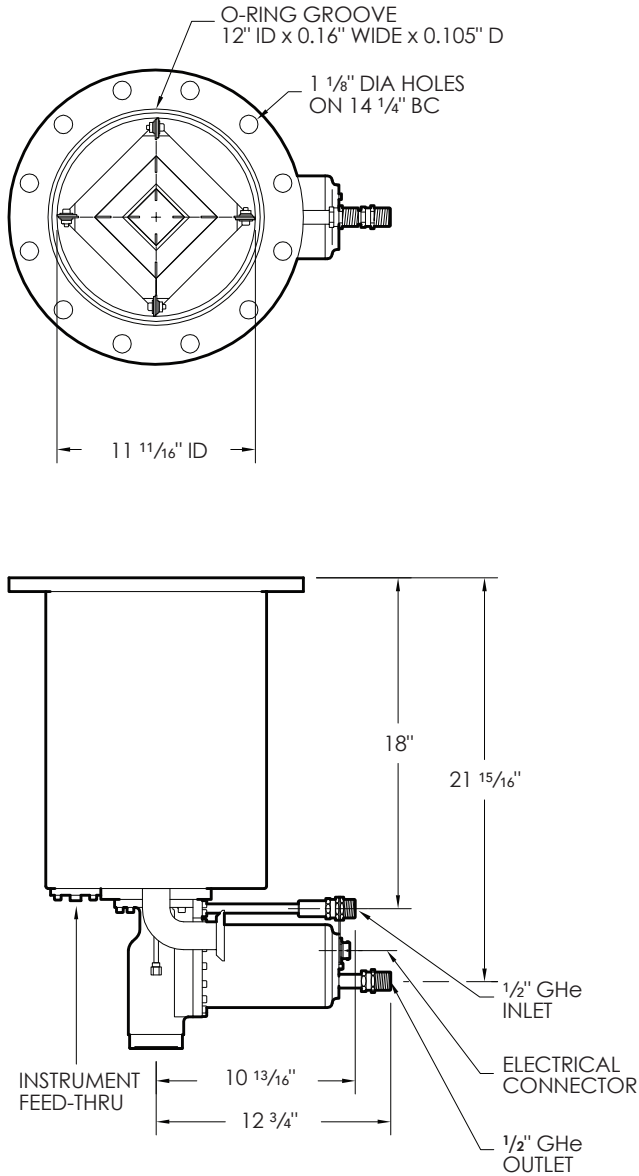
(Performance data based on 60-HZ operation)



Interfaces

System Flange	OD	ID	BC	Bolt Holes	O-Ring
ANSI	16"	11.75"	14.25"	12 ea 1.125" DIA	12" ID x 0.139" thick Viton (supplied)

Roughing Flange	ISO KF40
Accessory Flange	2 3/4" flange, 3/8" thick
Purge Tube	1/4" Ultra-Seal fitting. Viton O-ring Includes blank and 0.33" bored tailpieces
Pressure Relief	5 psig poppet valve with ISO KF40 flange
Helium Connections	1/2" Aeroquip fittings
Electrical	Diode, 6-pin twist lock connector Refrigerator drive motor, 5-pin twist lock connector



10" **TM250** (ANSI)