

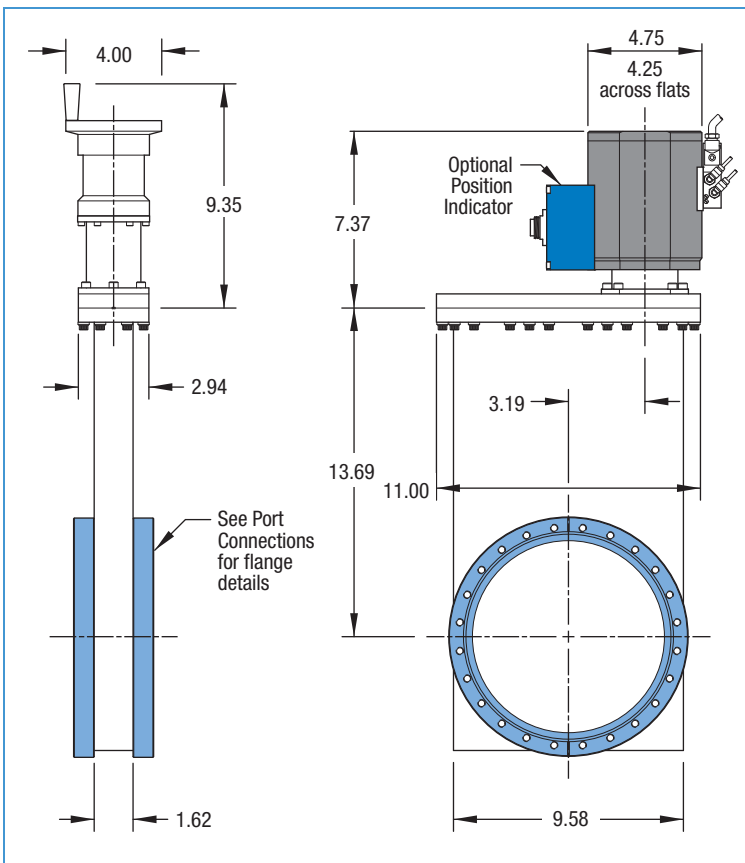
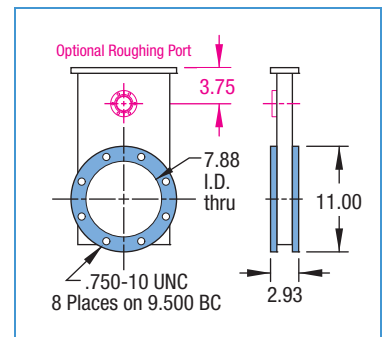
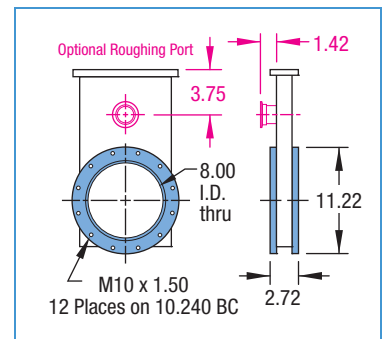
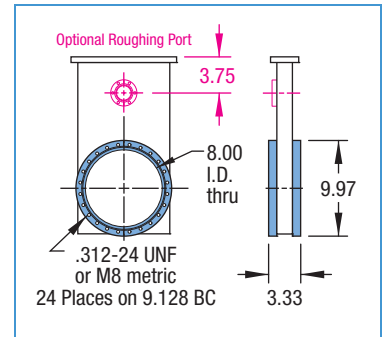
ULTRAHIGH VACUUM SERIES
250°C Metal Sealed Bonnets

HIGH VACUUM SERIES
150°C Viton® O-Ring Sealed Bonnets

Features

- Viton® O-Ring Sealed Gates
- Stainless Steel Construction
- Manual or Electropneumatic Operation

PORT CONNECTIONS





ULTRAHIGH VACUUM SERIES

METAL SEAL BONNET 250°C¹

| ACTUATOR | PORT FLANGE | FLANGE THREAD | BONNET SEAL | WEIGHT POUNDS | REFERENCE | PART NUMBER |
|-----------|-------------|---------------|-------------|---------------|--------------|-------------|
| MANUAL | DEL-SEAL | UNF | METAL | 55 | GV-8000M | 302007 |
| MANUAL | DEL-SEAL | METRIC | METAL | 55 | E-GV-8000M | 302019 |
| PNEUMATIC | DEL-SEAL | UNF | METAL | 55 | GV-8000M-P | 303007 |
| PNEUMATIC | DEL-SEAL | METRIC | METAL | 55 | E-GV-8000M-P | 303019 |

HIGH VACUUM SERIES

VITON SEAL BONNET 150°C¹

| ACTUATOR | PORT FLANGE | FLANGE THREAD | BONNET SEAL | WEIGHT POUNDS | REFERENCE | PART NUMBER |
|-----------|-------------|---------------|-------------|---------------|----------------|-------------|
| MANUAL | DEL-SEAL | UNF | VITON | 55 | GV-8000V | 300007 |
| MANUAL | DEL-SEAL | METRIC | VITON | 55 | E-GV-8000V | 300019 |
| MANUAL | ISO | METRIC | VITON | 50 | LGV-8000V | 306007 |
| MANUAL | ASA | UNC | VITON | 55 | GV-8000V-ASA | 304005 |
| PNEUMATIC | DEL-SEAL | UNF | VITON | 55 | GV-8000V-P | 301007 |
| PNEUMATIC | DEL-SEAL | METRIC | VITON | 55 | E-GV-8000V-P | 301019 |
| PNEUMATIC | ISO | METRIC | VITON | 50 | LGV-8000V-P | 307007 |
| PNEUMATIC | ASA | UNC | VITON | 55 | GV-8000V-ASA-P | 305005 |

¹ See page 166 for detailed bakeout specification

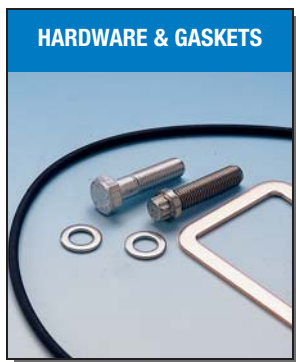
VALVE OPTIONS



| DESCRIPTION | OPTION NUMBER |
|------------------------------------|---------------|
| MECHANICAL POSITION INDICATOR | -01 |
| 24 VDC AIR CONTROL SOLENOID VALVE | -03 |
| 240 VAC AIR CONTROL SOLENOID VALVE | -09 |
| 1-1/2" ROUGHING PORT | -05 |
| KALREZ HIGH TEMP O-RING | -11 |

When ordering Gate Valve Options, please add the option number(s) to the end of the desired UHV or HV Series Gate Valve Part Number listed above. For example 303016-09
Detailed descriptions of each option begin on page 164.

ACCESSORIES



| GASKET KIT | MATERIAL | QUANTITY PER PACK | REFERENCE | PART NUMBER |
|--------------------|----------------|-------------------|-----------|-------------|
| GATE & BONNET SEAL | VITON | 1 ² | GVG-8000 | 354007 |
| GATE & BONNET SEAL | VITON & COPPER | 1 ² | GVG-8000M | 355007 |

| HARDWARE | THREAD LENGTH | FOR USE WITH | QUANTITY PER PACK | REFERENCE | PART NUMBER |
|---------------------|------------------|--------------|-------------------|--------------|-------------|
| 12PT HEAD BOLT SET | .312-24 X 1-3/4" | DEL-SEAL | 25 | BA-600-12-SP | 190059 |
| METRIC HEX HEAD SET | M8, 40mm LONG | DEL-SEAL | 25 | M8-40-SP | 190171 |
| METRIC HEX HEAD SET | M10, 30mm LONG | ISO | 25 | M10-30-SP | 190172 |
| HEX HEAD SET | .750-10 X 1-1/2" | ASA | 16 | GVBA-800-SP | 190177 |

² Each gasket kit contains one Bonnet and one Gate seal