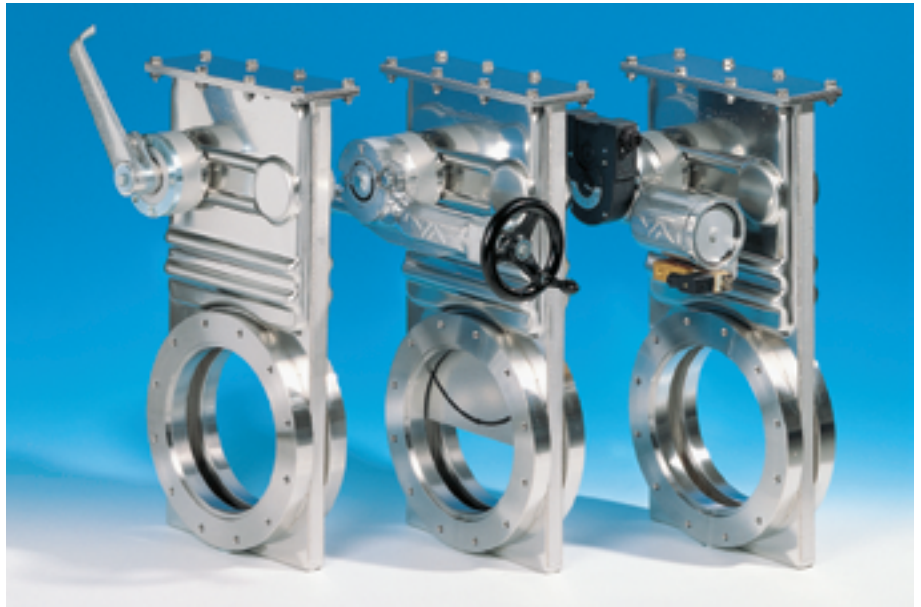


General purpose stainless steel valve
Compact and variable actuator



Body material

stainless steel

Manual actuator

DN 63 - 350: lever
DN 400: handwheel

| DN | | Ordering numbers | | | | |
|-----|------|------------------|------------------------|---------------------|-----------------------|------------|
| mm | inch | ISO-F | CF-F metric threads | CF-F UNF threads | ASA-LP (T) ASA (A) | JIS |
| 63 | 2 ½ | 14036-PE06 | 14036-CE06 | 14036-UE06 | 14036-TE06 | 14036-JE06 |
| 80 | 3 | 14038-PE06 | 14038-CE06 | 14038-UE06 | on request | on request |
| 100 | 4 | 14040-PE06 | 14040-CE06 | 14040-UE06 | 14040-TE06 | 14040-JE06 |
| 160 | 6 | 14044-PE06 | 14044-CE06 | 14044-UE06 | 14044-TE06 | 14044-JE06 |
| 200 | 8 | 14046-PE06 | 14046-CE06 | 14046-UE06 | 14046-TE06 | 14046-JE06 |
| 250 | 10 | 14048-PE06 | 14048-CE06 | 14048-UE06 | 14048-TE06 | 14048-JE06 |
| 320 | 12 | 14050-PE06 | on request | on request | 14050-TE06 | 14050-JE06 |
| 350 | 14 | on request | on request | on request | on request | on request |
| 400 | 16 | 14052-PE01 | on request | on request | 14052-AE01 | 14052-JE01 |

with handwheel: 140 . . . **E01** (DN 63 - 350)
with handwheel, with position indicator: 140 . . . **E08**

Pneumatic actuator

double acting
with position indicator
with solenoid

| DN | | Ordering numbers (specify control voltage) | | | | |
|-----|------|--|------------------------|---------------------|-----------------------|------------|
| mm | inch | ISO-F | CF-F metric threads | CF-F UNF threads | ASA-LP (T) ASA (A) | JIS |
| 63 | 2 ½ | 14036-PE44 | 14036-CE44 | 14036-UE44 | 14036-TE44 | 14036-JE44 |
| 80 | 3 | 14038-PE44 | 14038-CE44 | 14038-UE44 | on request | on request |
| 100 | 4 | 14040-PE44 | 14040-CE44 | 14040-UE44 | 14040-TE44 | 14040-JE44 |
| 160 | 6 | 14044-PE44 | 14044-CE44 | 14044-UE44 | 14044-TE44 | 14044-JE44 |
| 200 | 8 | 14046-PE44 | 14046-CE44 | 14046-UE44 | 14046-TE44 | 14046-JE44 |
| 250 | 10 | 14048-PE44 | 14048-CE44 | 14048-UE44 | 14048-TE44 | 14048-JE44 |
| 320 | 12 | 14050-PE44 | on request | on request | 14050-TE44 | 14050-JE44 |
| 350 | 14 | on request | on request | on request | on request | on request |
| 400 | 16 | 14052-PE44 | on request | on request | 14052-AE44 | 14052-JE44 |

without position indicator, without solenoid: 140 . . . **E14**
with position indicator, without solenoid: 140 . . . **E24**
without position indicator, with solenoid: 140 . . . **E34** (specify control voltage)

3-position pneumatic actuator

See series 64: 3-position pneumatic actuator with intermediate throttling position

Stepper motor

See series 64: for conductance and pressure control

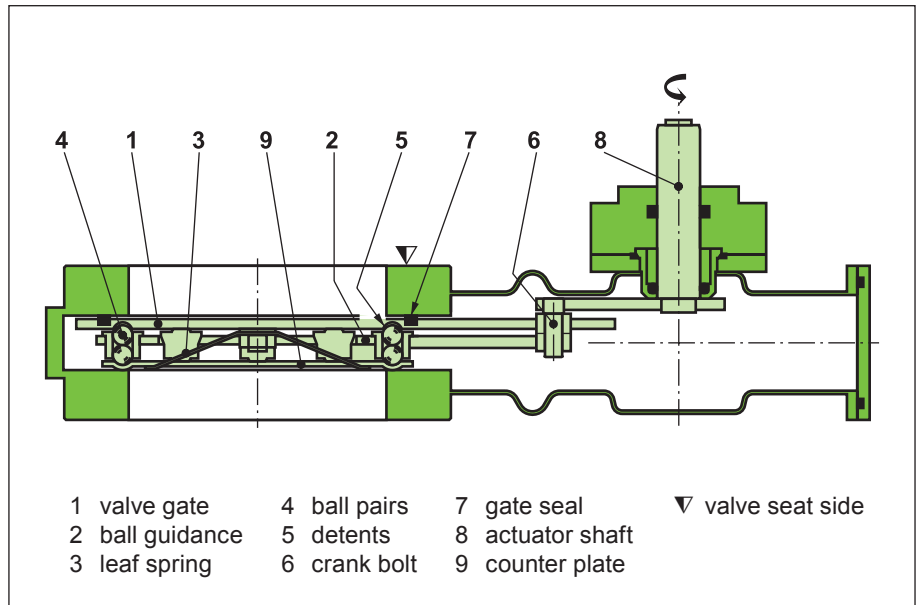
Sealing materials

Gate: FKM (VITON)

Bonnet: FKM (VITON)

Feedthrough

FKM (VITON) / rotary feedthrough



Features

Six actuator possibilities (three positions on either side)

Rotary feedthrough for high cycle life, low particle count

Optimized VATLOCK configuration (see glossary)

Technical data

Continued next page

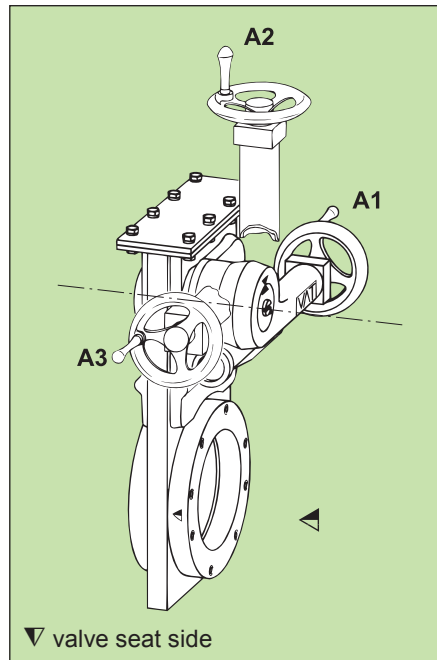
| | |
|---|---|
| Leak rate: body, valve seat | < 1 · 10 ⁻⁹ mbar ls ⁻¹ |
| Pressure range | |
| - DN 63 - 200 | 1 · 10 ⁻⁸ mbar to 2 bar (abs) |
| - DN 250 - 400 | 1 · 10 ⁻⁸ mbar to 1.2 bar (abs) |
| Differential pressure on the gate | |
| - DN 63 - 200 / 250 - 400 | ≤ 2 / ≤ 1.2 bar in either direction |
| Differential pressure at opening | |
| - in closing and opening direction | ≤ 30 mbar |
| Cycles until first service | |
| - DN 63 - 400 | 200 000 |
| - DN 400 vertical mounting pos.: (standing/suspended) | reduced cycle life |
| Temperature ¹⁾ | |
| - Valve body | ≤ 150°C |
| - Manual actuator, position indicator | ≤ 80°C |
| - Pneumatic actuator, motor, solenoid | ≤ 50°C |
| Material | |
| - Valve body, valve gate | AISI 304 (1.4301) |
| - Mechanism | AISI 301 (1.4310), AISI 304 (1.4301), AISI 420 (1.4034) AISI 420D (1.4037), AISI 430 (1.4016) |
| Seal: bonnet, gate | FKM (VITON) |
| Mounting position: DN 63 - 350 / DN 400 | any / horizontal |
| Solenoid | 24 VDC, 2.5 W (others see «options») |
| Position indicator: contact rating | |
| - Voltage | ≤ 250 VAC ≤ 50 VDC |
| - Current | ≤ 5 A ≤ 3 A |
| Valve position | visual (mechanical) |

¹⁾ Maximum values: depending on operating conditions and sealing materials

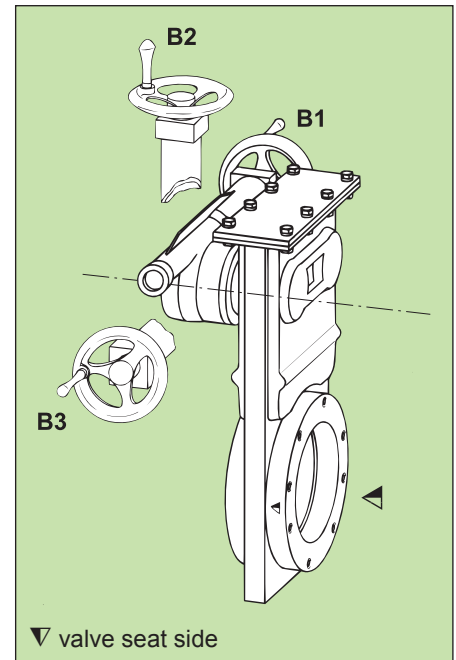
Actuator positions

For optimum system design the actuator can be mounted:

- on the A-side (valve seat side): standard
- on the B-side: option (please indicate in your order)
- in position 1 (standard for A- and B-side)
- in position 2 (can be mounted by customer: for DN 63 restricted)
- in position 3 (can be mounted by customer: for DN 63 restricted)



standard: A1
options: A2, A3

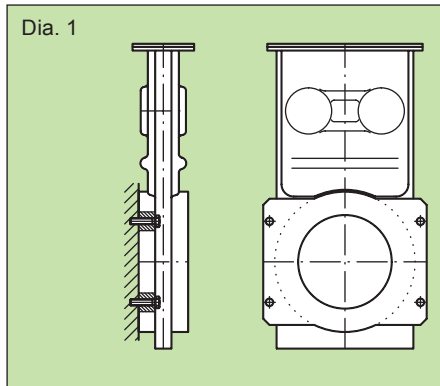


options: B1, B2, B3

Technical data

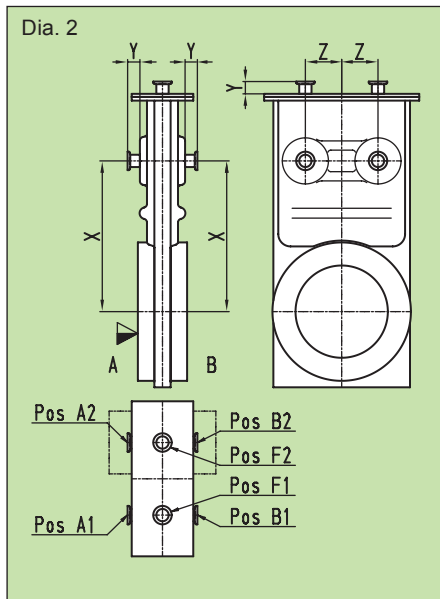
| DN (nominal I.D.) | | standard flanges | | | | molecular flow conductance | angle of rotation per stroke | manual | | | | | | pneumatic | | | | | |
|----------------------|------|------------------|-------|--------|-----|-------------------------------|---------------------------------|--------|-----|----|-----------|-----|-------|---|------|---------------------------|-----|----------------------------|-----|
| | | | | | | | | lever | | | handwheel | | | compressed air pressure min. - max. overpressure | | volume of air cylinder | | closing or opening time | |
| mm | inch | CF-F OD | ISO-F | ASA-LP | JIS | ls ⁻¹ | o | kg | lbs | n | kg | lbs | bar | psi | l | ft ³ | s | kg | lbs |
| 63 | 2 ½ | 4 ½ | 63 | 2 | 65 | 440 | 130 | 8 | 17 | 41 | 10 | 22 | 4 - 7 | 55 - 100 | 0.13 | .005 | 1.5 | 10 | 22 |
| 80 | 3 | 4 ¾ | 80 | - | - | 800 | 130 | 9 | 20 | 41 | 10 | 22 | 4 - 7 | 55 - 100 | 0.13 | .005 | 1.5 | 10 | 22 |
| 100 | 4 | 6 | 100 | 3 | 100 | 1700 | 130 | 13 | 28 | 41 | 15 | 33 | 4 - 7 | 55 - 100 | 0.13 | .005 | 1.5 | 15 | 34 |
| 160 | 6 | 8 | 160 | 4 | 150 | 5000 | 130 | 24 | 52 | 37 | 26 | 57 | 4 - 7 | 55 - 100 | 0.28 | .01 | 2.5 | 27 | 58 |
| 200 | 8 | 10 | 200 | 6 | 200 | 12000 | 130 | 30 | 66 | 37 | 32 | 70 | 4 - 7 | 55 - 100 | 0.28 | .01 | 2.5 | 33 | 72 |
| 250 | 10 | 12 | 250 | 8 | 250 | 22000 | 130 | 58 | 127 | 48 | 60 | 132 | 4 - 7 | 55 - 100 | 0.75 | .025 | 4.5 | 62 | 137 |
| 320 | 12 | | 320 | 10 | 300 | 30000 | 130 | 108 | 237 | 48 | 110 | 242 | 4 - 7 | 55 - 100 | 0.75 | .025 | 4.5 | 112 | 246 |
| 350 | 14 | on request | | | | 43000 | 130 | 108 | 237 | 48 | 110 | 242 | 4 - 7 | 55 - 100 | 0.75 | .025 | 4.5 | 112 | 246 |
| 400 | 16 | | 400 | 14 | 400 | 50000 | - | - | - | 48 | 153 | 336 | 4 - 7 | 55 - 100 | 0.75 | .025 | 5.5 | 155 | 340 |

Options



Actuator:

- Solenoid for impulse actuation:
last valve position is maintained at power failure
- Solenoid separate, for external mounting
- Solenoid for 12, 48 VDC
24, 48, 100, 115, 200, 230 V 50/60 Hz
- Double position indicator
(2 switches each for the positions «open» and «closed»)
- Actuator in position 2 or 3 (position 1 is standard)
- Actuator on B-side (A-side is standard)



Valve:

- Customer specified flanges
- For direct mounting to flat chamber (diagram 1):
Special flange for mounting to chamber wall, standard flange on opposite side
- Other sealing materials
- Watercooled or waterheated flanges
- Rotary feedthrough with intermediate pump port
- Ports (diagram 2)
for roughing (by-pass), venting, purging or for gauges
- Special ports on request resp. according to customer's specification

▽ valve seat side

| DN valve | mm inch | 63 2½ | 80 3 | 100 4 | 160 6 | 200 8 | 250 10 | 320 12 | 350 14 | 400 16 |
|----------|------------|-------------|-------------|--------------|-------------|----------------|----------------|--------------|--------------|--------------|
| *) | mm inch | 16 ⅝ | 16 ⅝ | 40 1½ | 40 1½ | 40 1½ | 40 1½ | 40 1½ | 40 1½ | 40 1½ |
| X | mm inch | 146 5.75 | 146 5.75 | 185 7.28 | 245 9.65 | 304.4 11.98 | 387.3 15.25 | 482 18.98 | 482 18.98 | 415 16.34 |
| Y | mm inch | 20 0.79 | 20 0.79 | 20 0.79 | 20 0.79 | 20 0.79 | 20 0.79 | 20 0.79 | 20 0.79 | 20 0.79 |
| Z | mm inch | 30 1.18 | 30 1.18 | 47.5 1.87 | 59 2.32 | 85 3.35 | 100 3.94 | 135 5.31 | 135 5.31 | 140 5.51 |

*) recommended port: CF-F or ISO-KF

Ordering information for options:

Ordering No. of valve-X (e. g. 14046-CE01-X,
X = actuator A2, port ISO-KF40 in position F2)

Heater

Temperature control with thermostat: individually adjustable
Supply voltage: 100 - 120V / 200 - 240VAC

Accessories

Fittings for installation of the valve: series 32 and 33

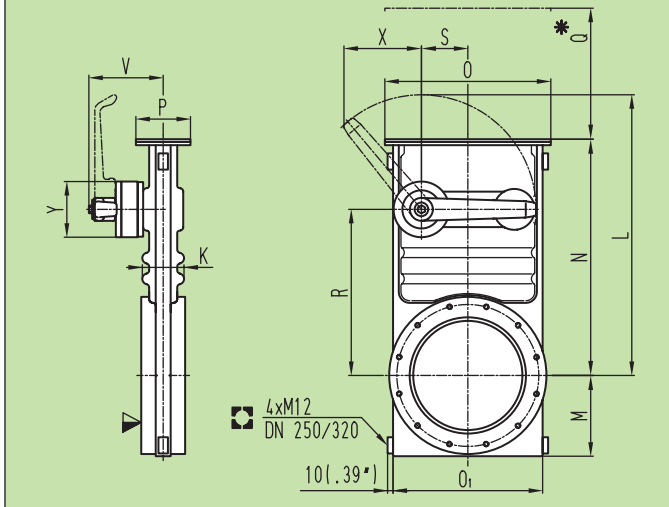
Seal kit

Consisting of seals for gate, bonnet and rotary feedthrough
Ordering No.: see operating manual or price list

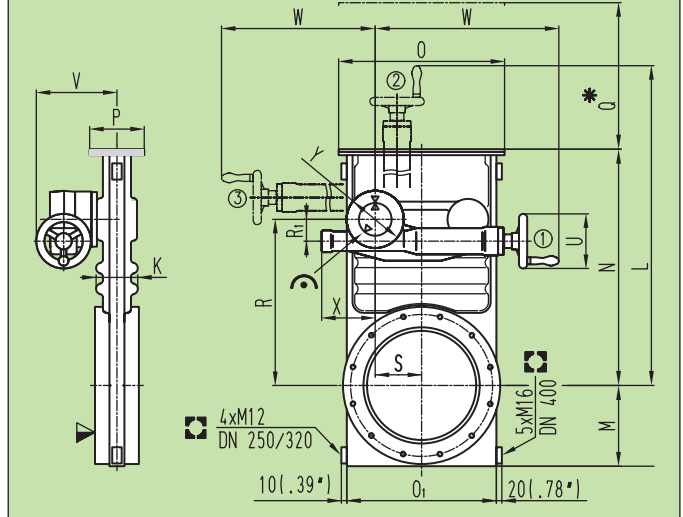
Standard: FKM (VITON). Special sealing materials on request.
Specify fabrication number of valve: e. g. 14044-PE24-AGV1/0014

Main dimensions

Valve with manual actuator: lever
DN 63 - 350 (2½" - 14")

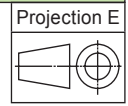


Valve with manual actuator: handwheel
DN 63 - 400 (2½" - 16")



- ▽ valve seat side
- ⊕ mechanical position indication
- * required for dismantling
- ⊠ for attachment

- ① standard actuator position (A1)
- ②③ optional actuator positions

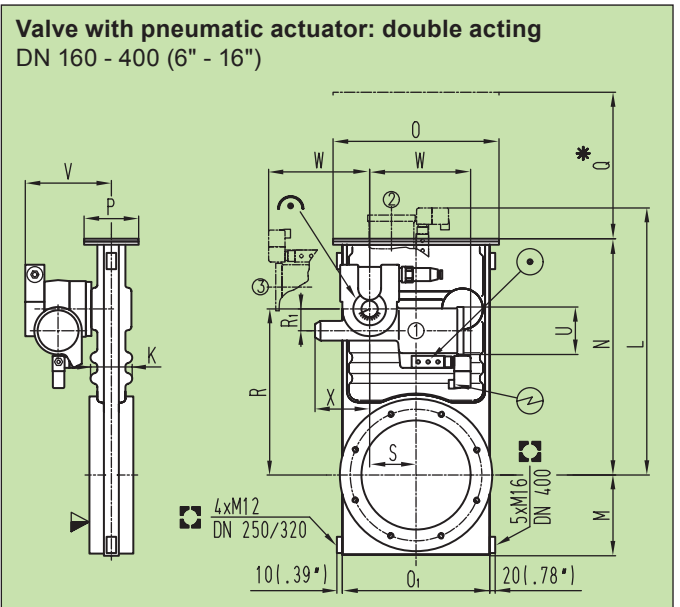
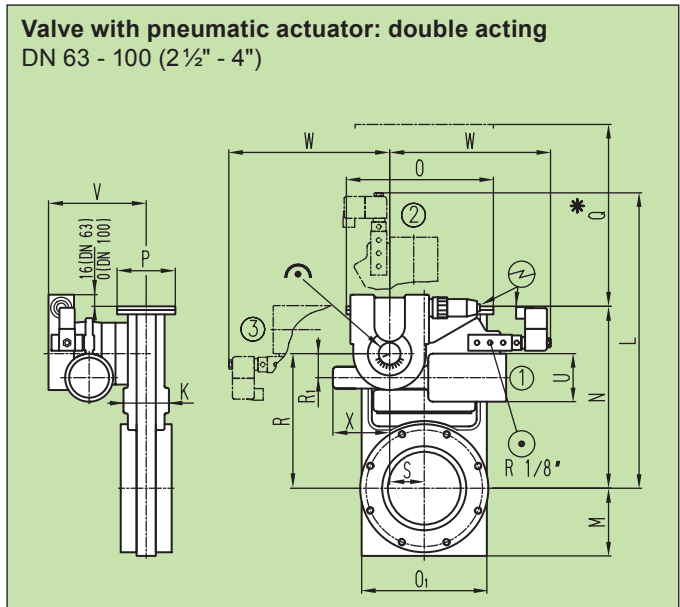


Flange dimensions see pages 50 and 51

| DN | mm | 63 / 80 | 100 | 160 | 200 | 250 | 320/350 |
|----|------|---------|-------|-------|-------|-------|---------|
| | inch | 2½ / 3 | 4 | 6 | 8 | 10 | 12/14 |
| K | mm | 51 | 63 | 75 | 77 | 117 | 120 |
| | inch | 2.01 | 2.48 | 2.95 | 3.03 | 4.6 | 4.72 |
| L | mm | 276 | 315 | 455 | 515 | 817 | 1012 |
| | inch | 10.87 | 12.4 | 17.91 | 20.27 | 32.17 | 39.84 |
| M | mm | 73 | 93 | 123 | 148 | 177 | 214 |
| | inch | 2.87 | 3.66 | 4.84 | 5.83 | 6.97 | 8.43 |
| N | mm | 211 | 270 | 362 | 441 | 570 | 691 |
| | inch | 8.31 | 10.63 | 14.25 | 17.36 | 22.44 | 27.2 |
| O | mm | 152 | 190 | 252 | 304 | 400 | 475 |
| | inch | 5.98 | 7.48 | 9.92 | 11.97 | 15.75 | 18.7 |
| O1 | mm | 134 | 172 | 222 | 274 | 356 | 421 |
| | inch | 5.28 | 6.77 | 8.74 | 10.79 | 14.02 | 16.57 |
| P | mm | 80 | 80 | 100 | 100 | 138 | 138 |
| | inch | 3.15 | 3.15 | 3.94 | 3.94 | 5.43 | 5.43 |
| Q | mm | 180 | 220 | 300 | 350 | 450 | 550 |
| | inch | 7.09 | 8.66 | 11.81 | 13.78 | 17.72 | 21.65 |
| R | mm | 146 | 185 | 245 | 305 | 387 | 482 |
| | inch | 5.75 | 7.28 | 9.65 | 12.01 | 15.24 | 18.98 |
| S | mm | 30 | 47.5 | 59 | 85 | 100 | 135 |
| | inch | 1.18 | 1.87 | 2.32 | 3.35 | 3.94 | 5.31 |
| V | mm | 120 | 120 | 138 | 138 | 189 | 189 |
| | inch | 4.72 | 4.72 | 5.43 | 5.43 | 7.44 | 7.44 |
| X | mm | 96 | 96 | 143 | 143 | 288 | 353 |
| | inch | 3.78 | 3.78 | 5.63 | 5.63 | 11.34 | 13.9 |
| Y | mm | 85 | 85 | 102 | 102 | 130 | 130 |
| | inch | 3.35 | 3.35 | 4.02 | 4.02 | 5.12 | 5.12 |

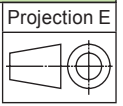
| DN | mm | 63 / 80 | 100 | 160 | 200 | 250 | 320/350 | 400 |
|----|------|---------|-------|-------|-------|-------|---------|-------|
| | inch | 2½ / 3 | 4 | 6 | 8 | 10 | 12/14 | 16 |
| K | mm | 51 | 63 | 75 | 77 | 117 | 120 | 133 |
| | inch | 2.01 | 2.48 | 2.95 | 3.03 | 4.6 | 4.72 | 5.23 |
| L | mm | 458 | 497 | 595 | 655 | 771 | 849 | 935 |
| | inch | 18.03 | 19.57 | 23.43 | 25.79 | 30.35 | 33.42 | 36.81 |
| M | mm | 73 | 93 | 123 | 148 | 177 | 214 | 232 |
| | inch | 2.87 | 3.66 | 4.84 | 5.83 | 6.97 | 8.43 | 9.13 |
| N | mm | 211 | 270 | 362 | 441 | 570 | 689 | 789 |
| | inch | 8.31 | 10.63 | 14.25 | 17.36 | 22.44 | 27.13 | 31.06 |
| O | mm | 152 | 190 | 252 | 304 | 400 | 475 | 520 |
| | inch | 5.98 | 7.48 | 9.92 | 11.97 | 15.75 | 18.7 | 20.47 |
| O1 | mm | 134 | 172 | 222 | 274 | 356 | 421 | 474 |
| | inch | 5.28 | 6.77 | 8.74 | 10.79 | 14.02 | 16.57 | 18.66 |
| P | mm | 80 | 80 | 100 | 100 | 138 | 138 | 138 |
| | inch | 3.15 | 3.15 | 3.94 | 3.94 | 5.43 | 5.43 | 5.43 |
| Q | mm | 180 | 220 | 300 | 350 | 450 | 550 | 600 |
| | inch | 7.09 | 8.66 | 11.81 | 13.78 | 17.72 | 21.65 | 23.62 |
| R | mm | 146 | 185 | 245 | 305 | 387 | 482 | 568 |
| | inch | 5.75 | 7.28 | 9.65 | 12.01 | 15.24 | 18.98 | 22.36 |
| R1 | mm | 33 | 33 | 40 | 40 | 50 | 50 | 50 |
| | inch | 1.3 | 1.3 | 1.57 | 1.57 | 1.97 | 1.97 | 1.97 |
| S | mm | 30 | 47.5 | 59 | 85 | 100 | 135 | 140 |
| | inch | 1.18 | 1.87 | 2.32 | 3.35 | 3.94 | 5.31 | 5.51 |
| U | mm | 100 | 100 | 125 | 125 | 125 | 125 | 125 |
| | inch | 3.94 | 3.94 | 4.92 | 4.92 | 4.92 | 4.92 | 4.92 |
| V | mm | 129 | 129 | 160.5 | 160.5 | 196.5 | 198 | 202 |
| | inch | 5.08 | 5.08 | 6.32 | 6.32 | 7.74 | 7.8 | 7.95 |
| W | mm | 312 | 312 | 350 | 350 | 384 | 367 | 367 |
| | inch | 12.28 | 12.28 | 13.78 | 13.78 | 15.12 | 14.45 | 14.45 |
| X | mm | 78 | 78 | 98 | 98 | 130 | 130 | 130 |
| | inch | 3.07 | 3.07 | 3.86 | 3.86 | 5.12 | 5.12 | 5.12 |
| Y | mm | 85 | 85 | 104 | 104 | 130 | 130 | 130 |
| | inch | 3.35 | 3.35 | 4.09 | 4.09 | 5.12 | 5.12 | 5.12 |

Main dimensions



- ▽ valve seat side
- * required for dismantling
- ⊙ compressed air connection
- ⊕ mechanical position indication
- for attachment
- ⊕ electrical connection

- ① standard actuator position (A1)
- ② ③ optional actuator positions



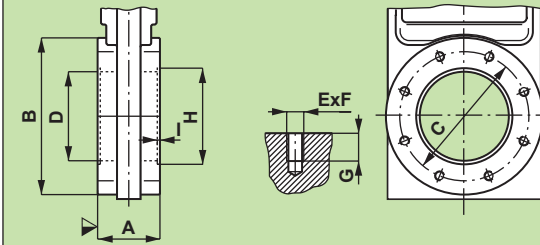
Flange dimensions see pages 50 and 51

| DN | mm | 63 / 80 | 100 | | | |
|----|------|---------|-------|--|--|--|
| | inch | 2½ / 3 | 4 | | | |
| K | mm | 51 | 63 | | | |
| | inch | 2.01 | 2.48 | | | |
| L | mm | 367 | 406 | | | |
| | inch | 14.45 | 15.98 | | | |
| M | mm | 73 | 93 | | | |
| | inch | 2.87 | 3.66 | | | |
| N | mm | 211 | 270 | | | |
| | inch | 8.31 | 10.63 | | | |
| O | mm | 152 | 190 | | | |
| | inch | 5.98 | 7.48 | | | |
| O1 | mm | 134 | 172 | | | |
| | inch | 5.28 | 6.77 | | | |
| P | mm | 80 | 80 | | | |
| | inch | 3.15 | 3.15 | | | |
| Q | mm | 180 | 220 | | | |
| | inch | 7.09 | 8.66 | | | |
| R | mm | 146 | 185 | | | |
| | inch | 5.75 | 7.28 | | | |
| R1 | mm | 33 | 33 | | | |
| | inch | 1.3 | 1.3 | | | |
| S | mm | 30 | 47.5 | | | |
| | inch | 1.18 | 1.87 | | | |
| U | mm | 66 | 66 | | | |
| | inch | 2.6 | 2.6 | | | |
| V | mm | 135 | 135 | | | |
| | inch | 5.32 | 5.32 | | | |
| W | mm | 221 | 221 | | | |
| | inch | 8.7 | 8.7 | | | |
| X | mm | 78 | 78 | | | |
| | inch | 3.07 | 3.07 | | | |

| DN | mm | 160 | 200 | 250 | 320 | 350 | 400 |
|----|------|-------|-------|-------|-------|-------|-------|
| | inch | 6 | 8 | 10 | 12 | 14 | 16 |
| K | mm | 75 | 77 | 117 | 120 | 120 | 130 |
| | inch | 2.95 | 3.03 | 4.6 | 4.72 | 4.72 | 5.12 |
| L | mm | 435 | 495 | 654 | 750 | 750 | 836 |
| | inch | 17.13 | 19.49 | 25.75 | 29.59 | 29.59 | 32.91 |
| M | mm | 123 | 148 | 177 | 214 | 214 | 232 |
| | inch | 4.84 | 5.83 | 6.97 | 8.43 | 8.43 | 9.13 |
| N | mm | 362 | 441 | 570 | 689 | 689 | 789 |
| | inch | 14.25 | 17.36 | 22.44 | 27.13 | 27.13 | 31.06 |
| O | mm | 252 | 304 | 400 | 475 | 475 | 520 |
| | inch | 9.92 | 11.97 | 15.75 | 18.7 | 18.7 | 20.47 |
| O1 | mm | 222 | 274 | 356 | 421 | 421 | 474 |
| | inch | 8.74 | 10.79 | 14.02 | 16.57 | 16.57 | 18.66 |
| P | mm | 100 | 100 | 138 | 138 | 138 | 138 |
| | inch | 3.94 | 3.94 | 5.43 | 5.43 | 5.43 | 5.43 |
| Q | mm | 300 | 350 | 450 | 550 | 550 | 600 |
| | inch | 11.81 | 13.78 | 17.72 | 21.65 | 21.65 | 23.62 |
| R | mm | 245 | 305 | 387 | 482 | 482 | 568 |
| | inch | 9.65 | 12.01 | 15.24 | 18.98 | 18.98 | 22.36 |
| R1 | mm | 40 | 40 | 50 | 50 | 50 | 50 |
| | inch | 1.57 | 1.57 | 1.97 | 1.97 | 1.97 | 1.97 |
| S | mm | 59 | 85 | 100 | 135 | 135 | 140 |
| | inch | 2.32 | 3.35 | 3.94 | 5.31 | 5.31 | 5.51 |
| U | mm | 87 | 87 | 122.5 | 122.5 | 122.5 | 122.5 |
| | inch | 3.43 | 3.43 | 4.82 | 4.82 | 4.82 | 4.82 |
| V | mm | 158 | 158 | 202 | 202 | 202 | 206 |
| | inch | 6.22 | 6.22 | 7.95 | 7.95 | 7.95 | 8.11 |
| W | mm | 190 | 190 | 268 | 268 | 268 | 268 |
| | inch | 7.48 | 7.48 | 10.55 | 10.55 | 10.55 | 10.55 |
| X | mm | 100 | 100 | 131 | 131 | 131 | 131 |
| | inch | 3.94 | 3.94 | 5.16 | 5.16 | 5.16 | 5.16 |

Flange dimensions

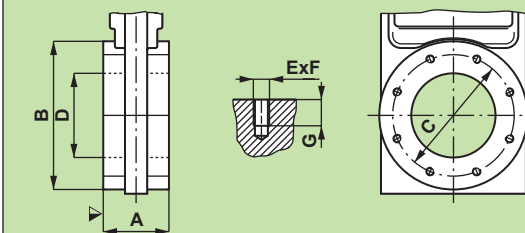
ISO-F DN 63 - 400 (2½" - 16")



| | | | | | | |
|-------|------------|-------------|-------------|-------------|-------------|--------------|
| DN | mm inch | 63 2½ | 80 3 | 100 4 | 160 6 | 200 8 |
| A | mm inch | 70 2.76 | 70 2.76 | 70 2.76 | 80 3.15 | 80 3.15 |
| B | mm inch | 136 5.35 | 136 5.35 | 176 6.93 | 225 8.86 | 288 11.34 |
| C | mm inch | 110 4.33 | 125 4.92 | 145 5.71 | 200 7.87 | 260 10.24 |
| D | mm inch | 63 2.48 | 80 3.15 | 100 3.94 | 150 5.91 | 200 7.87 |
| E x F | | 4 x M8 | 8 x M8 | 8 x M8 | 8 x M10 | 12 x M10 |
| G | mm inch | 13 0.51 | 13 0.51 | 13 0.51 | 14 0.55 | 16 0.63 |
| H | mm inch | 70 2.76 | 83 3.27 | 102 4.02 | 153 6.02 | 213 8.39 |
| I | mm inch | 3 0.12 | 3 0.12 | 3 0.12 | 5 0.2 | 5 0.2 |

| | | | | | | |
|-------|------------|--------------|--------------|------------|--------------|--|
| DN | mm inch | 250 10 | 320 12 | 350 14 | 400 16 | |
| A | mm inch | 100 3.94 | 120 4.72 | on request | 150 5.9 | |
| B | mm inch | 350 13.78 | 425 16.73 | | 510 20.08 | |
| C | mm inch | 310 12.2 | 395 15.55 | | 480 18.9 | |
| D | mm inch | 261 10.28 | 318 12.52 | | 400 15.75 | |
| E x F | | 12 x M10 | 12 x M12 | | 16 x M12 | |
| G | mm inch | 16 0.63 | 16 0.63 | | 20 0.79 | |
| H | mm inch | - | - | | - | |
| I | mm inch | - | - | | - | |

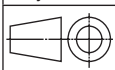
**JIS B 2290: 1998 / ISO 1609
DN 65 - 400 (2½" - 16")**



| | | | | | | | | |
|-------|------------|-------------|-------------|-------------|--------------|--------------|--------------|--------------|
| DN | mm inch | 65 2½ | 100 4 | 150 6 | 200 8 | 250 10 | 300 12 | 400 16 |
| A | mm inch | 70 2.76 | 70 2.76 | 80 3.15 | 80 3.15 | 100 3.94 | 120 4.72 | 150 5.9 |
| B | mm inch | 136 5.35 | 176 6.93 | 225 8.86 | 288 11.34 | 350 13.78 | 425 16.73 | 510 20.08 |
| C | mm inch | 120 4.72 | 160 6.3 | 210 8.27 | 270 10.63 | 320 12.6 | 370 14.57 | 480 18.9 |
| D | mm inch | 63 2.48 | 100 3.94 | 150 5.91 | 200 7.87 | 261 10.28 | 318 12.52 | 400 15.75 |
| E x F | | 4 x M10 | 8 x M10 | 8 x M10 | 8 x M12 | 12 x M12 | 12 x M12 | 12 x M16 |
| G | mm inch | 12 0.47 | 12 0.47 | 14 0.55 | 16 0.63 | 16 0.63 | 16 0.63 | 25 0.98 |

DN 80 (3") and DN 350 (14") on request

Projection E



▼ valve seat side

Flange dimensions

CF-F DN 63 - 250 (2½" - 10")
metric threads

DN 350 (14"): on request

| | | | | | | | | |
|-------|------|--------|---------|---------|---------|---------|---------|--|
| DN | mm | 63 | 80 | 100 | 160 | 200 | 250 | |
| | inch | 2½ | 3 | 4 | 6 | 8 | 10 | |
| O.D. | inch | 4½ | 4⅝ | 6 | 8 | 10 | 12 | |
| A | mm | 70 | 70 | 70 | 80 | 80 | 100 | |
| | inch | 2.76 | 2.76 | 2.76 | 3.15 | 3.15 | 3.94 | |
| B | mm | 136 | 136 | 176 | 225 | 288 | 350 | |
| | inch | 5.35 | 5.35 | 6.93 | 8.86 | 11.34 | 13.78 | |
| C | mm | 92.1 | 102.4 | 130.3 | 181 | 231.8 | 284 | |
| | inch | 3.63 | 4.03 | 5.13 | 7.13 | 9.13 | 11.18 | |
| D | mm | 63 | 80 | 100 | 150 | 200 | 254 | |
| | inch | 2.48 | 3.15 | 3.94 | 5.91 | 7.87 | 10 | |
| E x F | | 8 x M8 | 10 x M8 | 16 x M8 | 20 x M8 | 24 x M8 | 32 x M8 | |
| H1 | mm | 82.5 | 91.55 | 120.65 | 171.45 | 222.3 | 273.15 | |
| | inch | 3.25 | 3.6 | 4.75 | 6.75 | 8.75 | 10.75 | |
| H2 | mm | 77.4 | 86.3 | 115.5 | 166 | 217 | 267 | |
| | inch | 3.05 | 3.4 | 4.55 | 6.54 | 8.54 | 10.51 | |

CF-F DN 63 - 250 (2½" - 10")
UNF threads

DN 350 (14"): on request

| | | | | | | | | |
|-------|------|-----------|------------|------------|------------|------------|------------|-----------|
| DN | mm | 63 | 80 | 100 | 160 | 200 | 250 *) | 250 *) |
| | inch | 2½ | 3 | 4 | 6 | 8 | 10 | 10 |
| O.D. | inch | 4½ | 4⅝ | 6 | 8 | 10 | 12 | 13¼ |
| A | mm | 70 | 70 | 70 | 80 | 80 | 100 | 100 |
| | inch | 2.76 | 2.76 | 2.76 | 3.15 | 3.15 | 3.94 | 3.94 |
| B | mm | 136 | 136 | 176 | 225 | 288 | 350 | 350 |
| | inch | 5.35 | 5.35 | 6.93 | 8.86 | 11.34 | 13.78 | 13.78 |
| C | mm | 92.1 | 102.4 | 130.3 | 181 | 231.8 | 284 | 306.3 |
| | inch | 3.63 | 4.03 | 5.13 | 7.13 | 9.13 | 11.18 | 12.06 |
| D | mm | 63 | 80 | 100 | 150 | 200 | 254 | 254 |
| | inch | 2.48 | 3.15 | 3.94 | 5.91 | 7.87 | 10 | 10 |
| E x F | | 8 x 5/16" | 10 x 5/16" | 16 x 5/16" | 20 x 5/16" | 24 x 5/16" | 32 x 5/16" | 30 x 3/8" |
| | | 24 UNF | 24 UNF | 24 UNF | 24 UNF | 24 UNF | 24 UNF | 24 UNF |
| H1 | mm | 82.5 | 91.55 | 120.65 | 171.45 | 222.3 | 273.15 | 294.64 |
| | inch | 3.25 | 3.6 | 4.75 | 6.75 | 8.75 | 10.75 | 11.6 |
| H2 | mm | 77.4 | 86.3 | 115.5 | 166 | 217 | 267 | 288.3 |
| | inch | 3.05 | 3.4 | 4.55 | 6.54 | 8.54 | 10.51 | 11.35 |

*) O.D. 12" VAT standard, O.D. 13¼" option

Ordering information for option: O.D. 13¼"

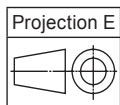
Ordering No. of valve-X

(e. g. 14048-UE44-X, X = O.D. 13¼")

ASA-LP DN 63 - 400 (2½" - 16")
with or without O-ring groove

For orders **with** O-ring groove specify:
«A», «B» or «A + B»

| | | | | | | | | |
|----------|------|--------------|---------------|---------------|---------------|---------------|---------------|---------------|
| DN | mm | 63 | 100 | 160 | 200 | 250 | 320 | 400 |
| | inch | 2½ | 4 | 6 | 8 | 10 | 12 | 16 |
| ASA-LP | | 2 | 3 | 4 | 6 | 8 | 10 | 16*) |
| A | mm | 70 | 70 | 80 | 80 | 100 | 120 | 150 |
| | inch | 2.76 | 2.76 | 3.15 | 3.15 | 3.94 | 4.72 | 5.9 |
| B | mm | 136 | 176 | 225 | 288 | 350 | 425 | 596.9 |
| | inch | 5.35 | 6.93 | 8.86 | 11.34 | 13.78 | 16.73 | 23.5 |
| C | mm | 120.7 | 152.4 | 190.5 | 241.3 | 298.5 | 362 | 539.8 |
| | inch | 4.75 | 6 | 7.5 | 9.5 | 11.75 | 14.25 | 21.25 |
| D | mm | 63 | 100 | 150 | 200 | 254 | 300 | 400 |
| | inch | 2.48 | 3.94 | 5.91 | 7.87 | 10 | 11.81 | 15.75 |
| E x F | | 4 x 3/8" | 4 x 3/8" | 8 x 3/8" | 8 x 3/4" | 8 x 3/4" | 12 x 3/4" | 16 x 1" |
| | | 16 UNC | 16 UNC | 16 UNC | 10 UNC | 10 UNC | 10 UNC | 8 UNC |
| G | mm | 15 | 15 | 15 | 20 | 20 | 28 | 25.4 |
| | inch | 0.59 | 0.59 | 0.59 | 0.79 | 0.79 | 1.1 | 1 |
| H | mm | 88.9 | 120.65 | 158.75 | 206.4 | 266.7 | 317.5 | 419.1 |
| | inch | 3.5 | 4.75 | 6.25 | 8.13 | 10.5 | 12.5 | 16.5 |
| O-Ring | | 88.49 x 3.53 | 120.24 x 3.53 | 158.34 x 3.53 | 202.79 x 3.53 | 266.29 x 3.53 | 316.87 x 7.00 | 417.96 x 7.00 |
| I.D. x d | | 3.48 x .139 | 4.73 x .139 | 6.23 x .139 | 7.98 x .139 | 10.48 x .139 | 12.47 x .275 | 16.46 x .275 |



▼ valve seat side

DN 80 (3") and DN 350 (14") on request

*) ASA